

**INTERCHANGEABLE
 HEAVY DUTY WALL CAPS**
 PATENT PENDING

**TWO APPLICATIONS IN ONE CAP:
 FRESH AIR IN**

EXHAUST AIR OUT



FRESH AIR



EXHAUST AIR

Reversomatic Heavy duty wall caps are installed through all over North America in extreme cold & hot conditions including ocean front buildings & houses for multiple applications like dryers, kitchen exhaust and general ventilation purpose.

INTERCHANGEABLE WALL CAP is a simple and smart solution to use in two applications: **FRESH AIR INTAKE & EXHAUST AIR DISCHARGE.**



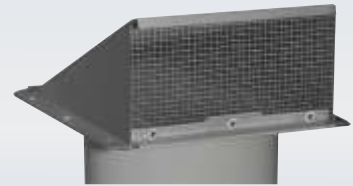
Preconditioned to any application Interchangeable wall cap.



Inserted Aluminium Back Draft Damper makes wall cap used for Exhaust



Inserted Fly Screen makes wall cap used for Fresh Air Intake



In both applications finally bird screen to be installed

Wall cap made off 24 GA Satin Coated Steel painted black, brown, white or 0.025" Aluminium. Aluminum is recommended for ocean front constructions, while steel or plastic are not preferable. Other colours and custom sizes are available upon request.

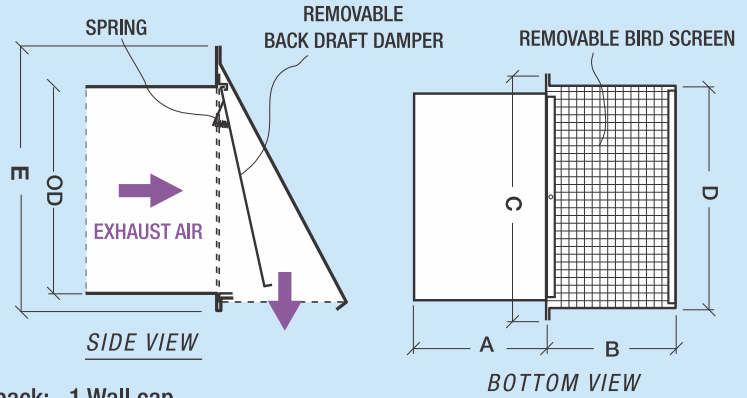
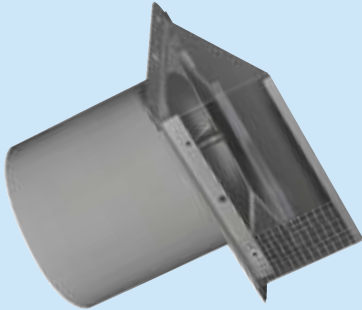
NOTE: see instructions for insert installation

INTERCHANGEABLE WALL CAP

- EASY TO INSTALL • EASY TO CONVERT FROM INTAKE TO EXHAUST OR EXHAUST TO INTAKE •
- EASY REMOVABLE BIRD-SCREEN, FLY SCREEN, BACK DRAFT DAMPER FOR CLEANING • HEAVY GAUGE ALUMINUM & STEEL •
- ELIMINATES INVENTORY • IMPACT RESISTANT • PREVENTS MOLD & MILDEW • ELIMINATES WATER PENETRATION •

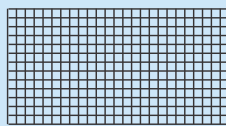
Wall caps comply with AMCA 511 Standard for testing weather penetration effectiveness
 Test Standard: Cyclic / Static Test ASTM E547-00 (Tested at 800 Pa)

EXHAUST AIR APPLICATION



Standard single pack: 1 Wall cap
 Additional single pack: 1 Bird screen,
 1 Back Draft Damper.

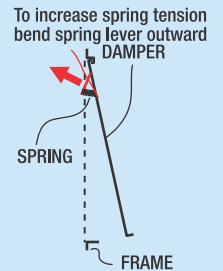
	OD 4", 5", 6"	OD 7", 8", 9"	OD 10", 12"
A	6"	6"	6"
B	3 ¹¹ / ₁₆ "	5 ¹¹ / ₁₆ "	7 ¹¹ / ₁₆ "
C	7 ¹³ / ₁₆ "	10 ³ / ₄ "	13 ³ / ₄ "
D	6 ¹ / ₂ "	9 ¹ / ₂ "	12 ¹ / ₂ "
E	8 ⁵ / ₁₆ "	11 ³ / ₈ "	-----



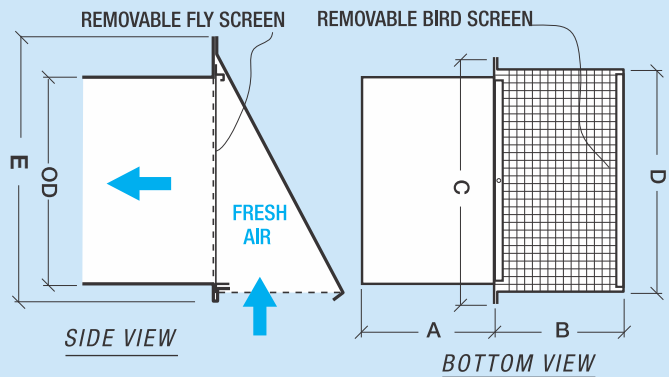
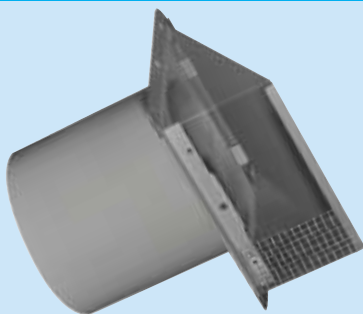
BIRD SCREEN
 (Not recommended
 for dryer exhaust application)



ALUMINIUM BACKDRAFT DAMPER

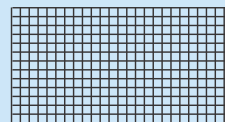


FRESH AIR INTAKE APPLICATION



Standard single pack: 1 Wall cap
 Additional single pack: 1 Bird screen,
 1 Fly Screen

	OD 4", 5", 6"	OD 7", 8", 9"	OD 10", 12"
A	6"	6"	6"
B	3 ¹¹ / ₁₆ "	5 ¹¹ / ₁₆ "	7 ¹¹ / ₁₆ "
C	7 ¹³ / ₁₆ "	10 ³ / ₄ "	13 ³ / ₄ "
D	6 ¹ / ₂ "	9 ¹ / ₂ "	12 ¹ / ₂ "
E	8 ⁵ / ₁₆ "	11 ³ / ₈ "	-----



BIRD SCREEN



FLY SCREEN

Contractor:		WALL CAP		
Architect:	Job:	Date	Supersedes	Drawing No.
Engineer:	Date Submitted:			

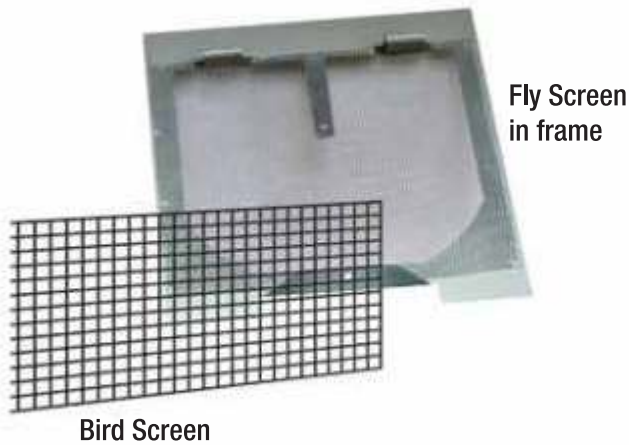


REVERSOMATIC
 MANUFACTURING LIMITED
 www.reversomatic.com

CANADA: 790 Rowntree Dairy Road
 Woodbridge, Ontario L4L 5V3
 Phone: (905) 851-6701 • Fax: (905) 851-8376
 Email: info@reversomatic.com

U.S.A.: 2555 Porter Lake Drive, Suite 103
 Sarasota, Florida 34240
 Phone: (941) 870-2320; (800) 499-5073
 Fax: (941): 870-0652 Email info-us@reversomatic.com

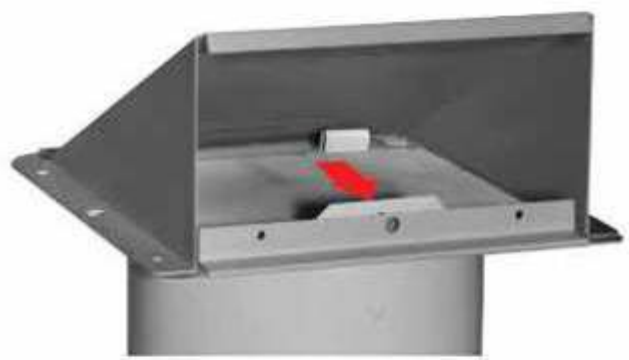
INTERCHANGEABLE WALL CAP - FRESH AIR KIT INSTALLATION



STEP 1: Insert Fly Screen as shown



STEP 2: Move Fly Screen forward, placing back edge under lips, shown in circle



STEP 3: Move Fly Screen backward, placing back edge under front partition



STEP 4: Line up screw holes & secure Fly Screen with screw



STEP 5: Insert Bird Screen as shown



STEP 6: Secure Bird Screen with st. steel screws



FINAL: FRESH AIR WALL CAP READY FOR USE



REVERSOMATIC
MANUFACTURING LIMITED
www.reversomatic.com

CANADA: 790 Rowntree Dairy Road
Woodbridge, Ontario L4L 5V3
Phone: (905) 851-6701 • Fax: (905) 851-8376
Email: info@reversomatic.com

U.S.A.: 2555 Porter Lake Drive, Suite 103
Sarasota, Florida 34240
Phone: (941) 870-2320; (800) 499-5073
Fax: (941): 870-0652 Email info-us@reversomatic.com

INTERCHANGEABLE WALL CAP - EXHAUST AIR KIT INSTALLATION



Aluminium
Back Draft
Damper

Bird Screen
(not recommended for dryer exhaust)



STEP 1: Insert Draft Damper as shown



STEP 2: Move Damper forward,
placing back edge under lips, shown in circle



STEP 3: Move Damper backward, placing
back edge under front partition



STEP 4: Line up screw holes &
secure damper with screw



STEP 5: Insert Bird Screen as shown
(Bird Screen is not recommended for dryer exhaust)



STEP 6: Secure Bird Screen with st. steel screws



FINAL: EXHAUST AIR WALL CAP READY FOR USE



REVERSOMATIC
MANUFACTURING LIMITED
www.reversomatic.com

CANADA: 790 Rowntree Dairy Road
Woodbridge, Ontario L4L 5V3
Phone: (905) 851-6701 • Fax: (905) 851-8376
Email: info@reversomatic.com

U.S.A.: 2555 Porter Lake Drive, Suite 103
Sarasota, Florida 34240
Phone: (941) 870-2320; (800) 499-5073
Fax: (941): 870-0652 Email info-us@reversomatic.com