

5.0" Condenser Fan Replacement Motors

Included

- Durable collar studs with 5/8" extension, 8-32 threads
- Extra mounting nuts with locking feature
- Easy-to-install plugs
- Mounting instructions with easy-to-read diagrams

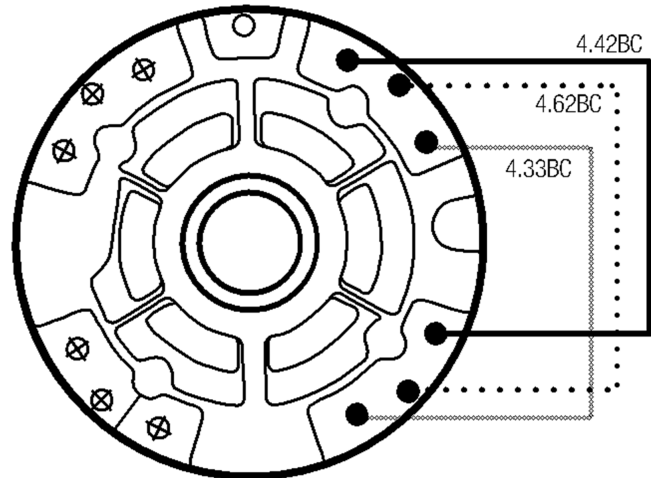
Features

- North American Made
- Multi-Mounting System
- Single speed multi-horsepower replacement motor uses one simple connection
- Energy-efficient PSC design
- Easy-to-read connection diagram attached to white lead wire
- Water-resistant reversing plug
- Double sealed ball bearings for dependable long life
- Rubber shaft slinger keeps water and dirt out of motor
- Water-resistant rubber grommet at lead opening
- 60°C max ambient
- Class B insulation
- Lead length 36"
- 60 Hertz
- Totally enclosed
- Continuous duty, air over

TruckStock™
PREMIUM



Replaces motors with a 4.33, 4.42 and 4.62 inch mounting bolt circle



Mounting System Replaces:

4.42BC

AOS/Westinghouse Design
Emerson 42-Frame (5" dia.)

4.62BC

GE 42-Frame (5" dia.)
Fasco 42-Frame (5" dia.)
AOS/Universal Electric Design

4.33BC

Emerson Clam-Shell
GE Cap-Can

Part #	HP	Volts	Amps	RPM	Dia	Rot	Type	Body	Shaft
M4-R2722	1/8, 1/10, 1/12	208/230	0.9	1/1075	5.0"	Rev	5/370	4.0"	1/2" x 3"
M4-R2723	1/4, 1/5, 1/6	208/230	2.0	1/1075	5.0"	Rev	7.5/370	4.5"	1/2" x 3"
M4-R2724	1/4, 1/5, 1/6	208/230	1.6	1/1625	5.0"	Rev	5/370	4.5"	1/2" x 3"

M4-R2722		
HP	RPM	Amps
1/8	1075	0.9
1/10	1135	0.6
1/12	1155	0.5

M4-R2723		
HP	RPM	Amps
1/4	1075	2.0
1/5	1145	1.2
1/6	1165	1.0

M4-R2724		
HP	RPM	Amps
1/4	1625	1.6
1/5	1715	1.0
1/6	1759	0.7

* MultiFit™ is a trademark of A.O. Smith Corporation