

SUPERIOR SERIES

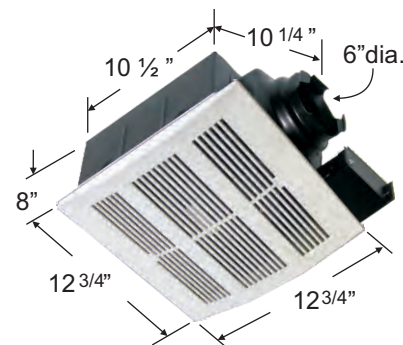
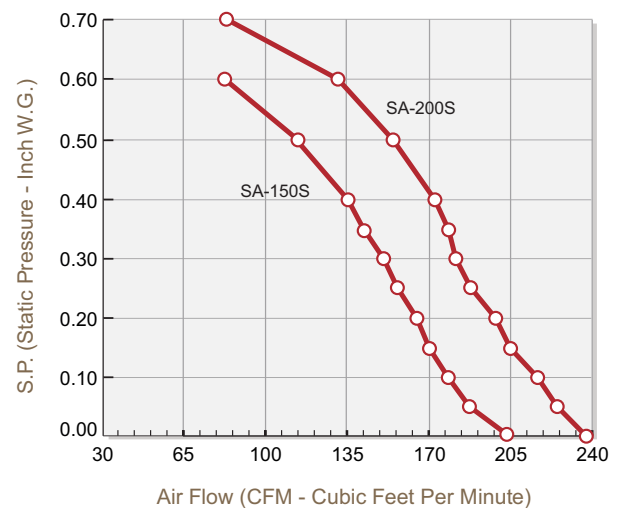
Models:

SA-150S, SA-200S

- Attractive plastic grille matches with any decor
- Painted black-steel housing
- Backdraft damper and mounting brackets are included
- Energy efficient PSC motor, designed for continuous operation
- Plastic double wheel for super quiet and efficient performance
- External electrical junction box for easy wiring
- Suitable for installation over Bath Tub or Shower Stall with GFCI protected branch circuit
- HVI, Energy Star and UL Listed
- Manufactured in ISO 9000 facility
- Two years warranty



FAN DATA



HVI Certified Rating

SA-150S (170 CFM @ 0.10" S.P., 1.5 Sones)
SA-200S (210 CFM @ 0.10" S.P., 3.0 Sones)

PERFORMANCE (CFM)

MODEL	MOTOR 120 VAC 60 Hz			CUBIC FEET PER MINUTE													
	RPM	AMPS	WATTS	S.P.	0	0.05	0.10	0.15	0.20	0.25	0.30	0.35	0.40	0.50	0.60	0.70	
SA-150S	850	0.4	48.4	CFM	202	188	175	170	165	152	148	143	136	114	83		
SA-200S	950	0.5	74.7	CFM	238	227	216	205	195	181	179	177	173	155	131	83	

RPM (Revolution Per Minute) shown is nominal and performance is based on actual speed of test. Unit was tested with inlet grille, backdraft damper and outlet duct.